

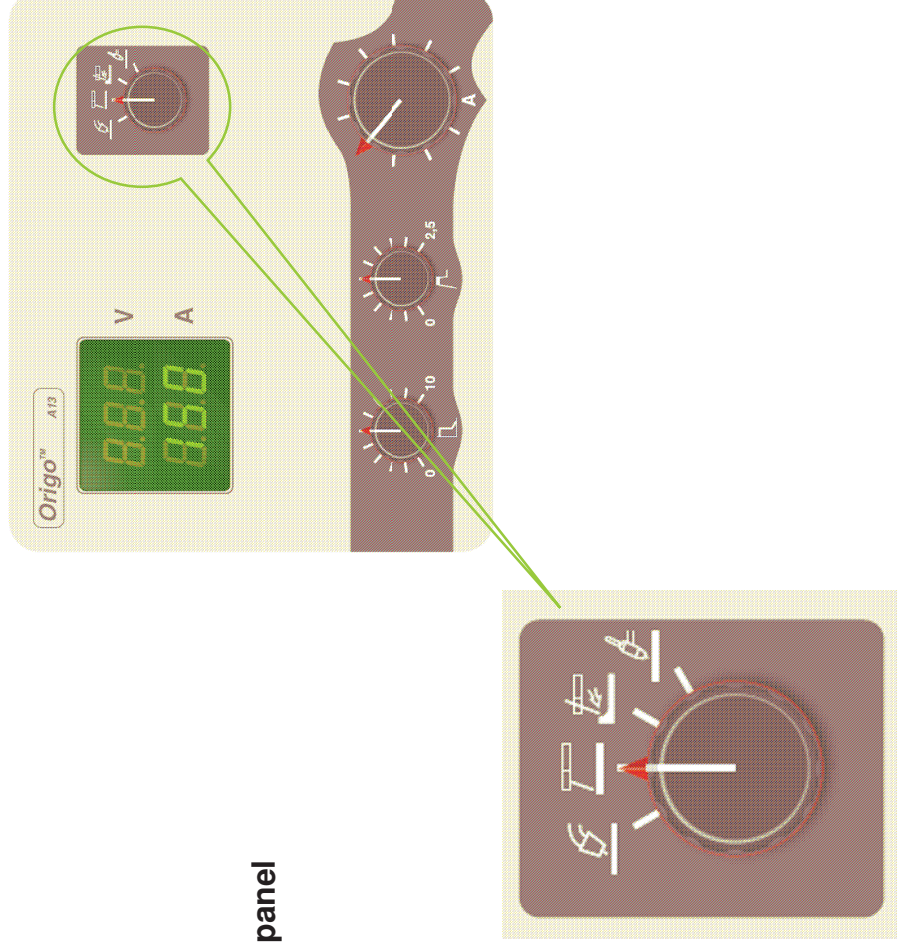
Origo™ Mig 402c / 502c / 652c

A13 Panel*

- **MIG/MAG**
 - All functions controlled from the feeder panel
- **MMA**
- **Air Carbon Arc Gouging**
- **TIG****

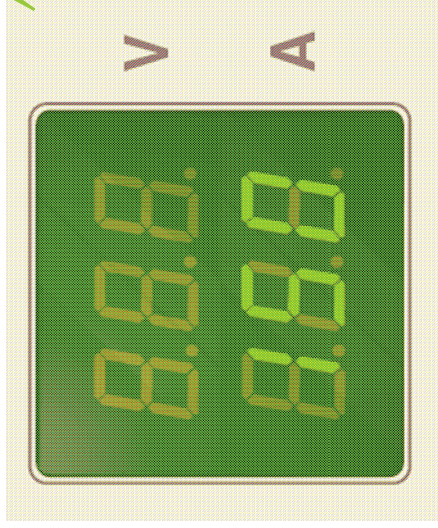
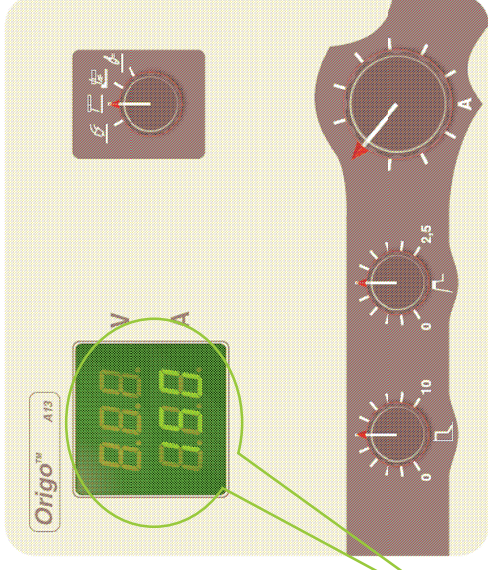
* A13 panel is optional for Mig 402c

** LiftArc™ start kit available as an option



A13 Panel

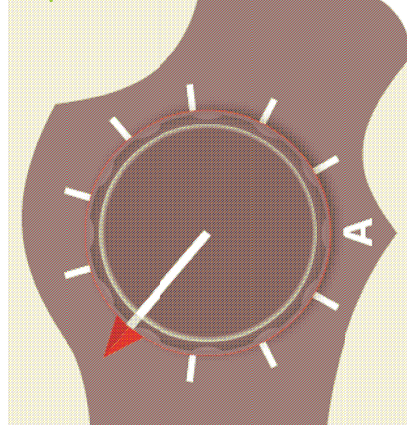
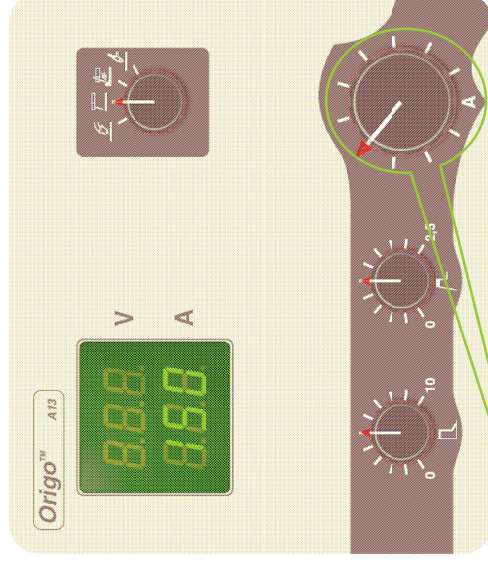
- **Digital V/A meters (option)**
 - Current (A)
 - Voltage (V)



Origo™ Mig 402c / 502c / 652c

A13 Panel

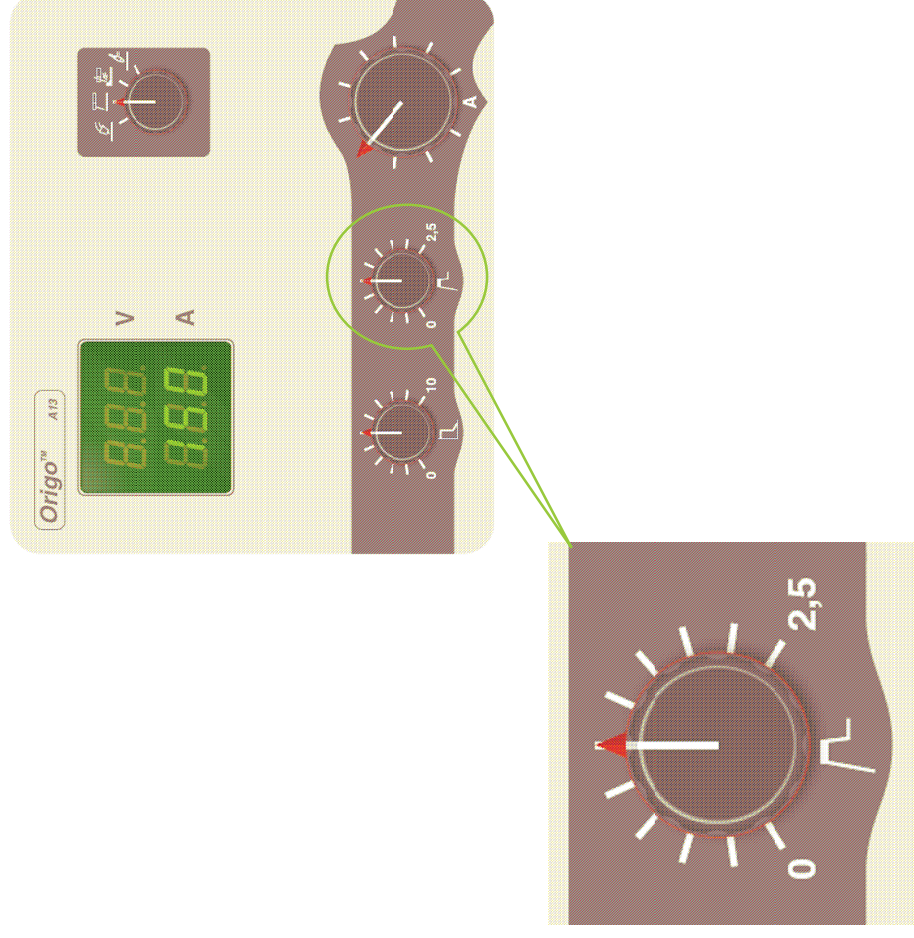
- **MMA current control**
 - 20 - 400/500/650A



Origo™ Mig 402c / 502c / 652c

A13 Panel

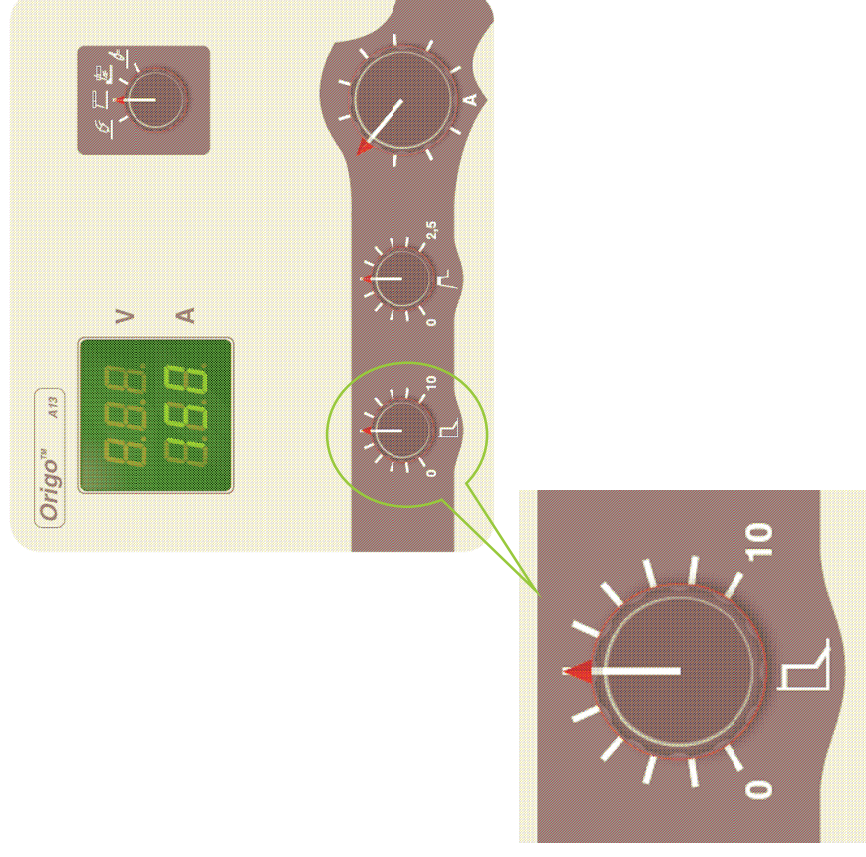
- Hot Start
 - 0 - 2,5 sec
 - current + 50%

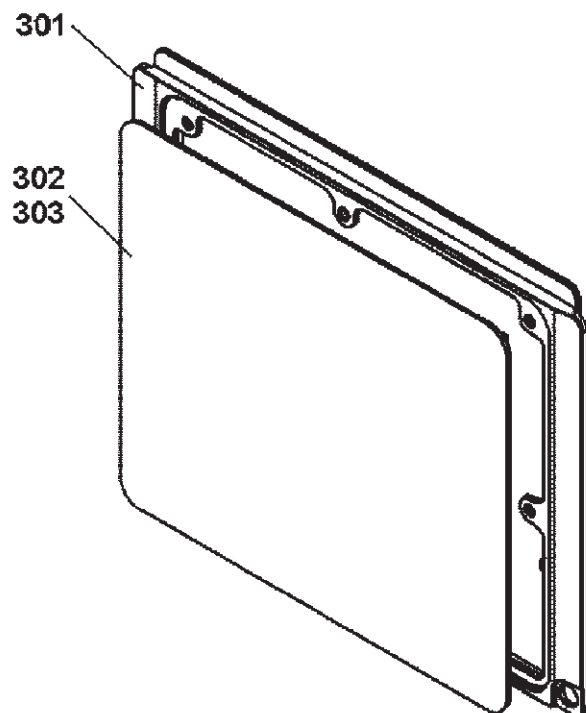
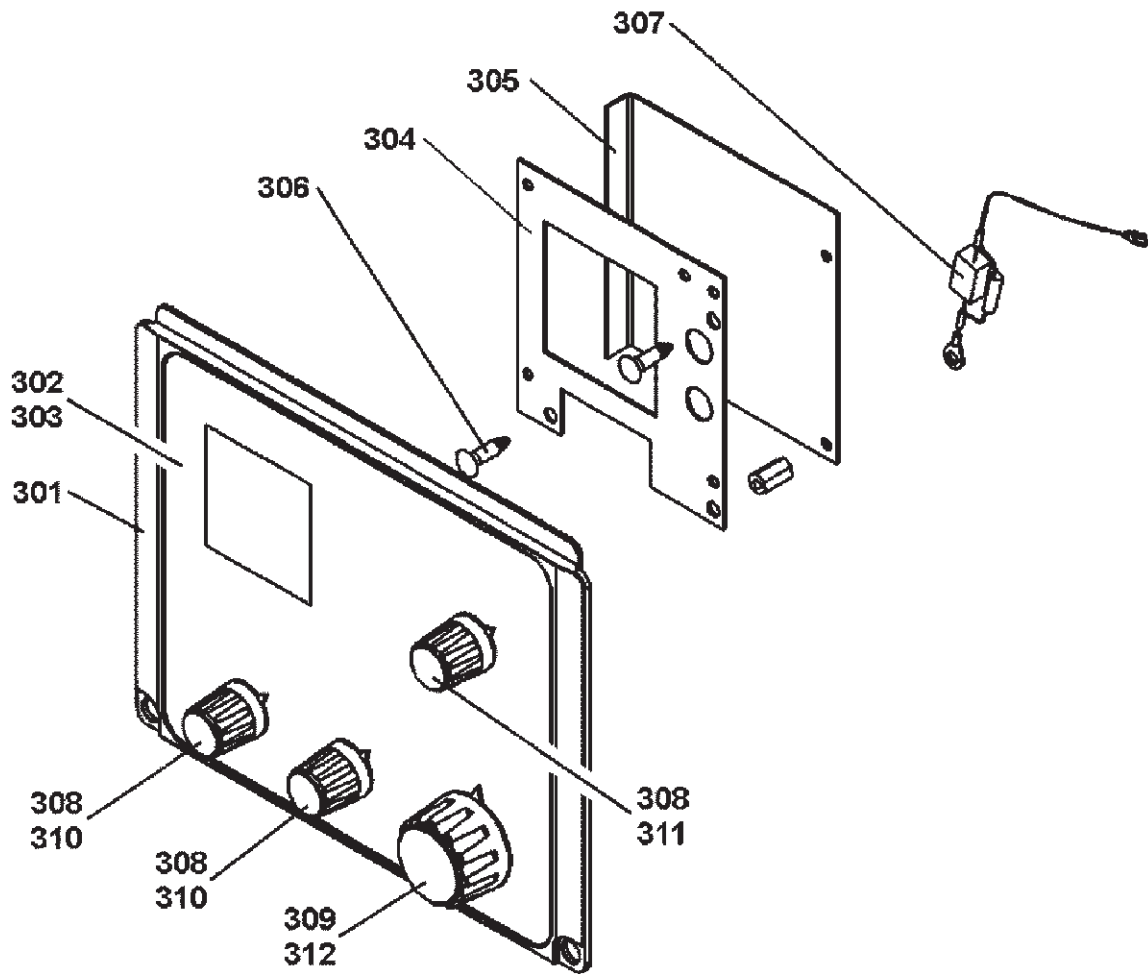


Origo™ Mig 402c / 502c / 652c

A13 Panel

- **Arc Force**
 - Step-less control
 - 0 = soft arc
 - 10 = hard arc





Origo™ Mig 402cw, 402c, Mig 502cw, 502c, Mig 652cw, 652c

Item	Qty 402c	Qty 502c	Qty 652c	Ordering no.	Denomination	Notes	C
301	1	1	1	0459 118 002	Protection frame		
302	1	-	-	0349 310 932	Panel cpl.		
	-	1	1	0349 310 397	Panel cpl.		
303	1	-	-	0349 311 301	Label – MMC Panel M0		
	-	1	1	0349 310 399	Label – MMC Panel A13		
304	-	1	1	0349 302 287	Plate		
305	-	1	1	0349 310 037	Shield		
306	-	2	2	0455 226 004	Spacer		
307	-	1	1	0349 491 336	Capacitor cpl.		
308	-	3	3	0460 600 321	Knob		
309	-	1	1	0460 600 836	Knob		
310	-	2	2	0349 310 918	Potentiometer		R02, R03
311	-	1	1	0349 304 108	Rotary switch		S1
312	-	1	1	0192 724 007	Potentiometer		R01